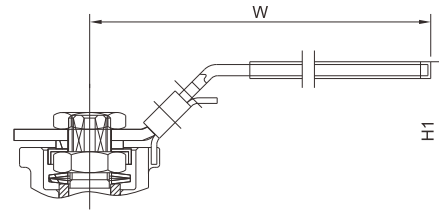
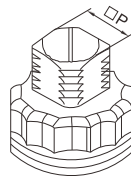
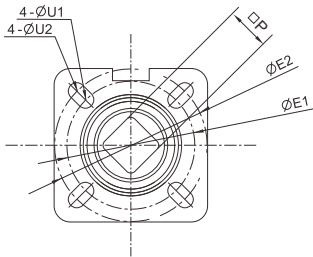


FEATURES:

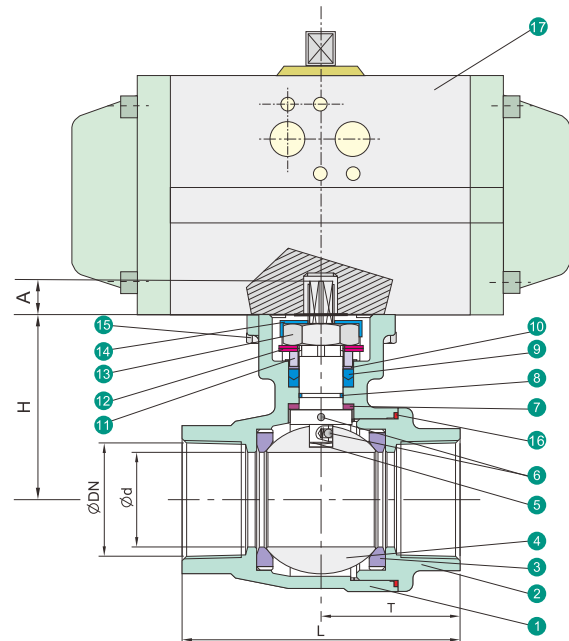
- Built-in ISO 5211 Direct Mounting Pad and Square Stem for Easy Automation
- Anti-Static Devices for Ball-stem-body
- Blow-out Proof Stem
- Pressure Balance Hole in Ball Slot
- Pre-load 2 Belleville Washers to Self-adjust Packing
- **TA-LUFT** Design Approved
- Options: 1. Actuator 2. Limit Switch 3. Positioner

STANDARDS:

- Design: MSS SP-110
- Wall Thickness: EN 12516-3
- Pipe Thread: ASME B1.20.1
DIN 2999 / 259, ISO 228 / 1
JIS B 0203, ISO 7 / 1
- Inspection & Testing: MSS SP-110



NO.	PART NAME	MATERIALS		
		CF8M	CF8	WCB
1	Body	CF8M	CF8	WCB
2	End Cap	CF8M	CF8	WCB
3	Ball Seat	TFM 1600 / PTFE / RTFE		
4	Ball	CF8M	CF8	
5	Stem	316	304	
6	Anti-Static Device	316	304	
7	Thrust Washer	PTFE		
8	O-Ring	FKM		
9	Stem Packing	PTFE		
10	Bushing	50%SS + 50%PTFE		
11	Gland	316		
12	Belleville Washer	301		
13	Stem Nut	A194-8		
14	Stop-Lock-Cap	304		
15	Bolting	A193-B8		
16	Body Gasket	PTFE		
17	Actuator	Pneumatic KP / Electric KQ		



Unit : mm

SIZE	d	L	H	H1	W	E1	E2	T	U1	U2	A	P	HEX.B	ISO 5211
1/4"	10.6	67.0	42.5	70	145	36	42	33.5	6	6	9	9	27	F03-F04
3/8"	12.7	67.0	42.5	70	145	36	42	33.5	6	6	9	9	27	F03-F04
1/2"	15.0	67.0	42.5	70	145	36	42	33.5	6	6	9	9	27	F03-F04
3/4"	20.0	70.4	49.0	78	145	36	50	35.2	6	7	9	9	32	F03-F05
1"	25.0	85.0	58.0	88	175	42	50	42.5	6	7	11	11	41	F04-F05
1-1/4"	32.0	94.0	62.5	93	175	42	70	47.0	6	9	11	11	50	F04-F07
1-1/2"	38.0	105.0	71.5	103	190	50	70	52.5	7	9	14	14	56	F05-F07
2"	50.0	125.0	78.5	110	190	50	70	62.5	7	9	14	14	70	F05-F07
2-1/2"	63.5	155.0	100.0	150	268	70	102	77.5	9	11	17	17	83	F07-F10
3"	76.0	173.0	109.0	159	268	70	102	86.5	9	11	17	17	102	F07-F10